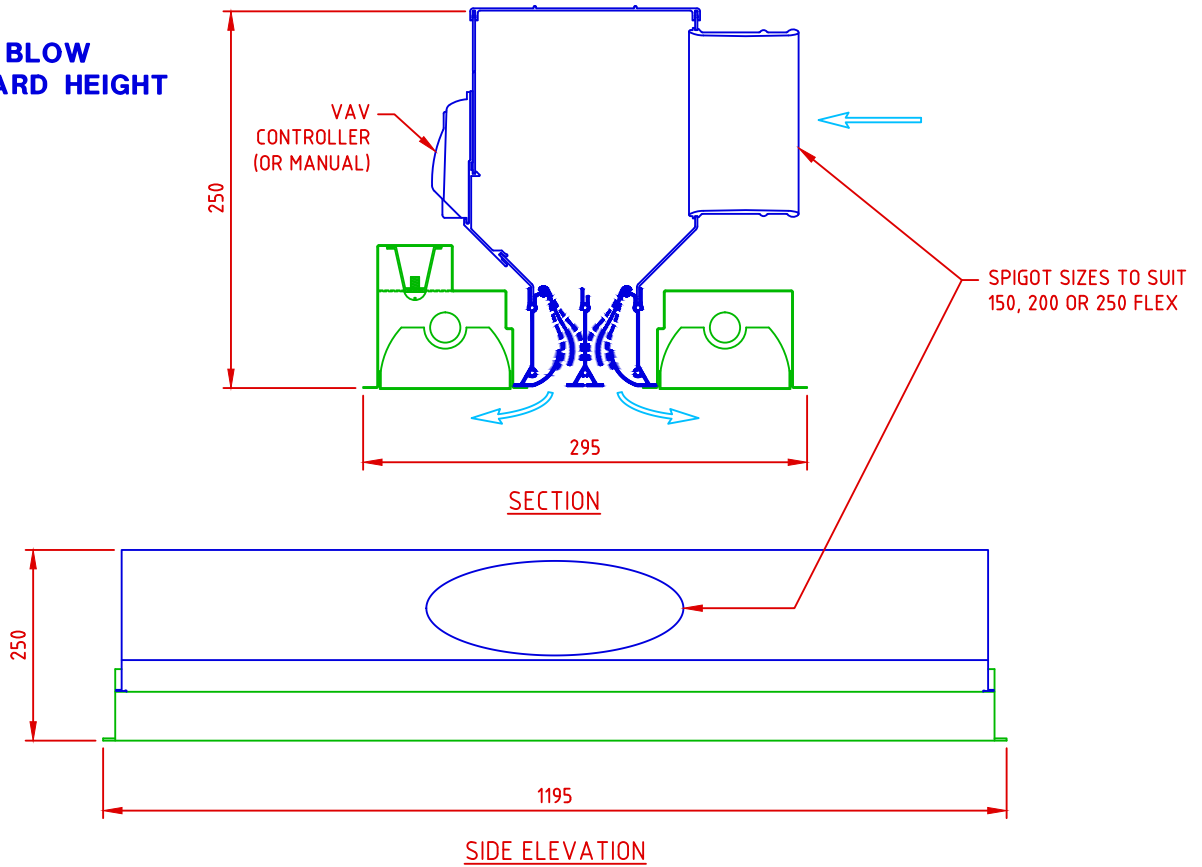
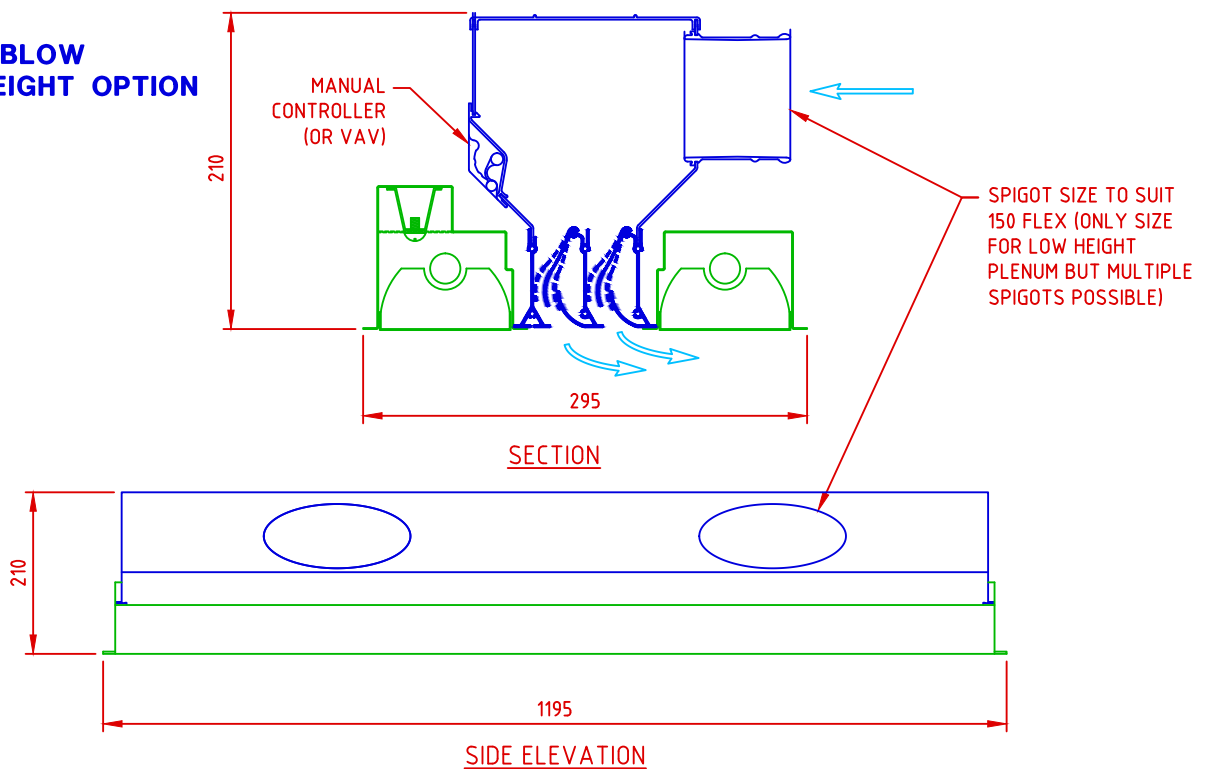


AIRLIGHT LINEAR 1200x300 SYSTEM DIMENSIONS

2 WAY BLOW STANDARD HEIGHT



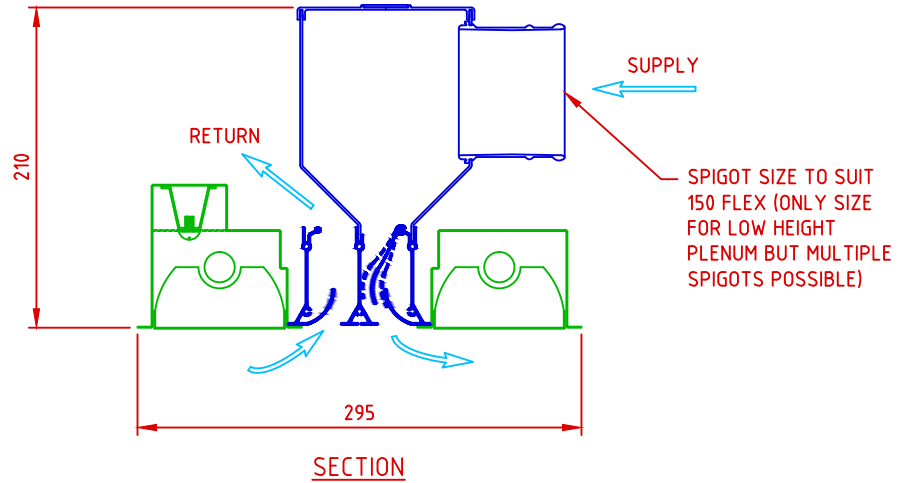
1 WAY BLOW LOW HEIGHT OPTION



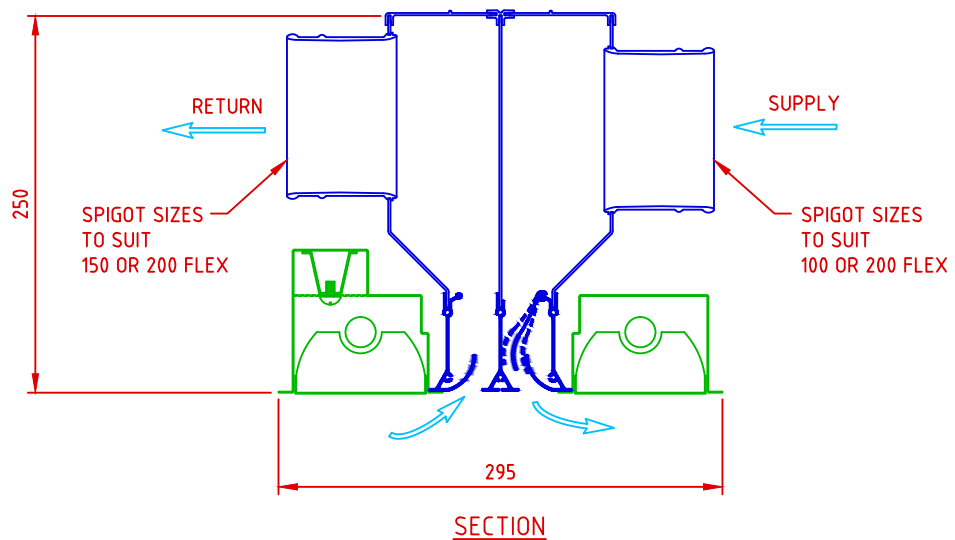
SEE NOTES ON PAGE 2

AIRLIGHT LINEAR 1200x300 SYSTEM DIMENSIONS

SUPPLY + RETURN AIR MODULE



SUPPLY + DUCTED RETURN AIR MODULE

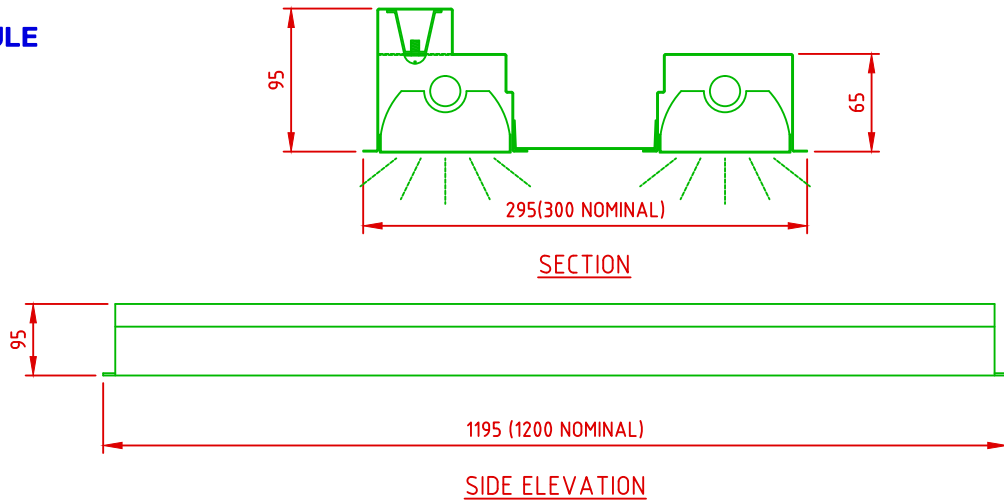


NOTES

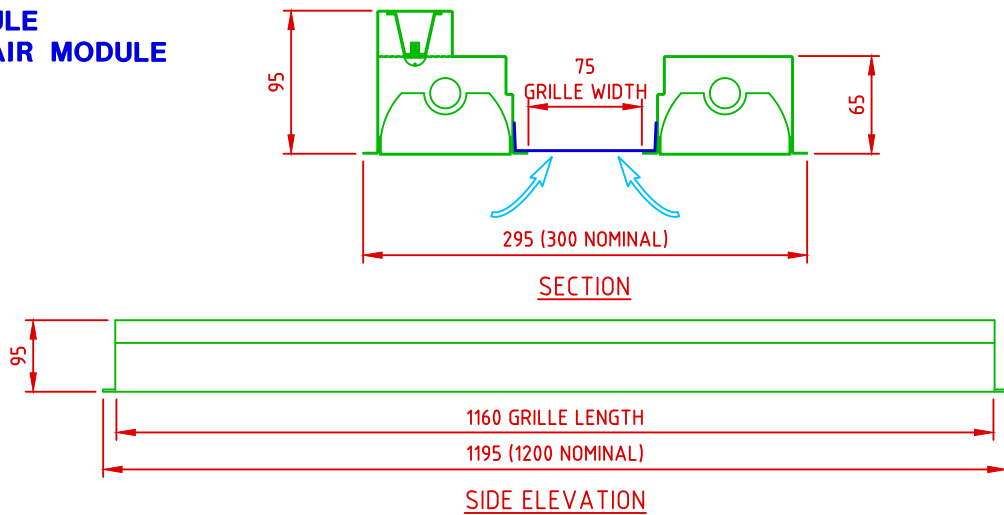
1. DIMENSIONS ARE IN MILLIMETRES
2. SPECIAL WIDTHS, LENGTHS AND CUSTOM DETAILS CAN BE PRODUCED TO ORDER. NOMINAL LENGTHS ARE TO SUIT T5 FLUORESCENT TUBES (600, 900, 1200, 1500)
3. WHEN PLENUM INSULATION IS REQUIRED ADD INSULATION THICKNESS TO PLENUM HEIGHT.

AIRLIGHT LINEAR 1200x300 SYSTEM DIMENSIONS

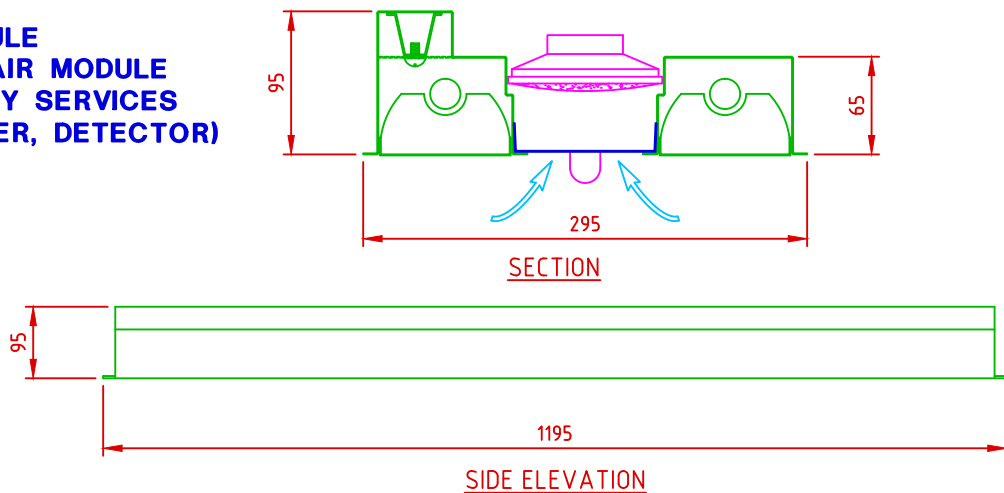
LIGHT MODULE



LIGHT MODULE + RETURN AIR MODULE



LIGHT MODULE + RETURN AIR MODULE + ANCILLARY SERVICES (EG. SPEAKER, DETECTOR)



SEE NOTES ON PAGE 2

We are continually developing the product.

Specifications and performance data may change without notice.