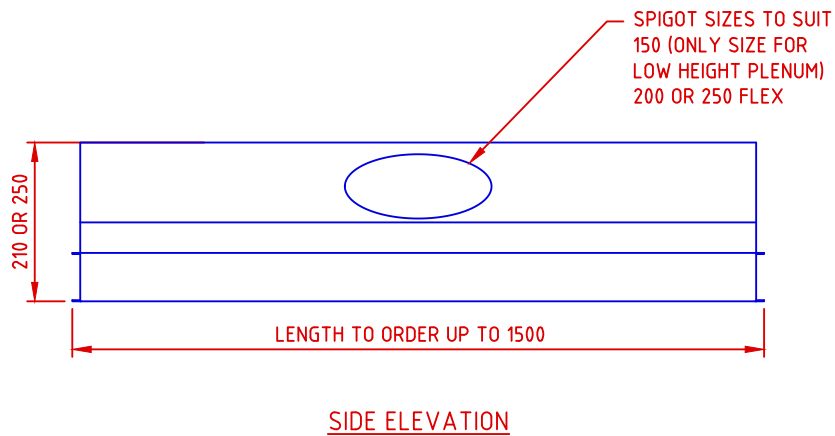
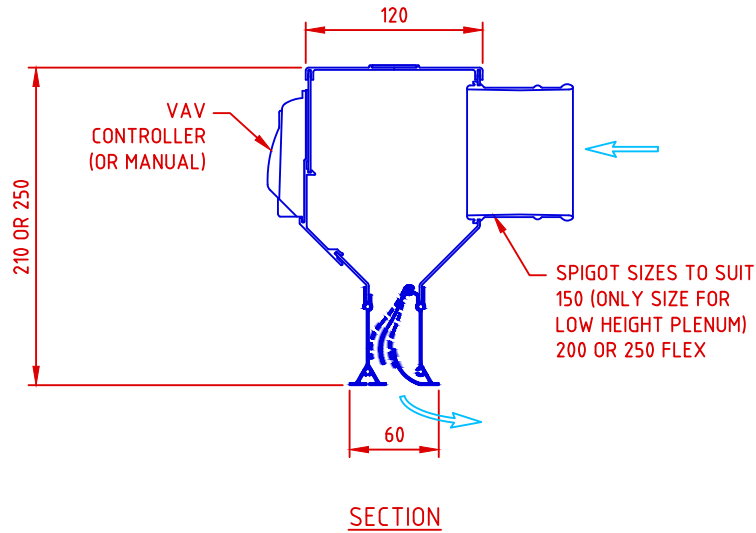


## AIRLIGHT AIR DIFFUSERS - DIMENSIONS

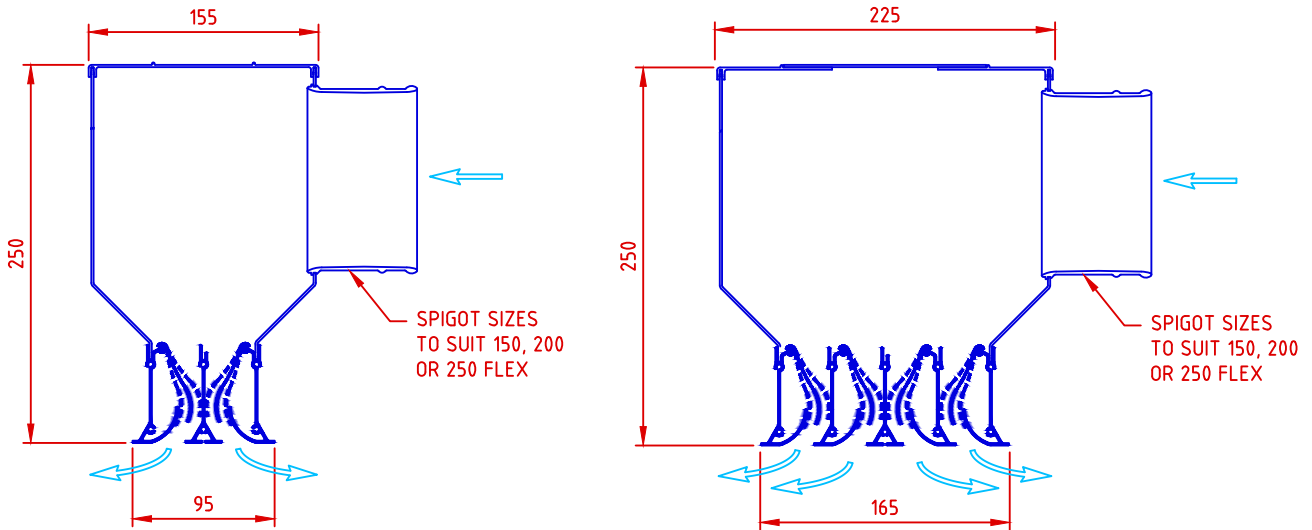
### ONE SLOT



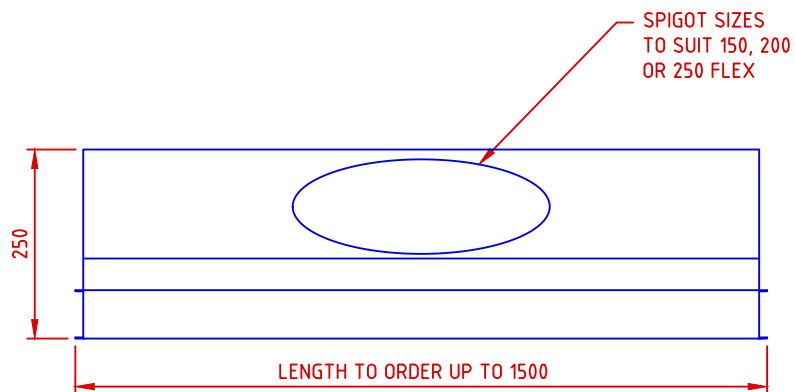
SEE NOTES ON PAGE 2

## AIRLIGHT AIR DIFFUSERS - DIMENSIONS

### TWO TO FOUR SLOT



### SECTIONS



### SIDE ELEVATION

### NOTES

1. DIMENSIONS ARE IN MILLIMETRES
2. ONE, TWO, THREE AND FOUR SLOT DIFFUSERS ARE AVAILABLE
3. DIFFUSERS CAN BE ONE WAY OR TWO WAY (2 OR MORE SLOTS) BLOW
4. WHEN PLENUM INSULATION IS REQUIRED ADD INSULATION THICKNESS TO PLENUM HEIGHT.